



ROOF TRUSSES

Effective and reliable structures
from READYCON

STOP WASTING YOUR TIME - ROOF TRUSSES ARE WAITING FOR YOU!

+38 (067) 285-07-09
+38 (067) 785-10-57



ARE YOU LOOKING FOR RELIABILITY?

Do you want to be sure of the roof truss strength?

Are you building for years to come?

Do you need durable structures?

Are you looking for easy and independent installation?



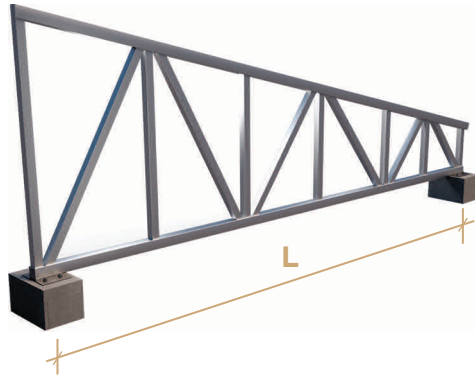
READYCON WILL HELP!

ADVANTAGES OF READYCON ROOF TRUSSES

- Strength and reliability of structures (calculated load 200 kg/m²);
- Zinc coating (service life more than 50 years);
- Easy installation (bolted connection without painting structures);
- Low weight of structures (installation without the use of lifting equipment is possible);
- Project documentation (attached to each delivery);
- Optimal cost.

TYPES OF ROOF TRUSSES FROM READYCON

SINGLE-PITCH
triangular

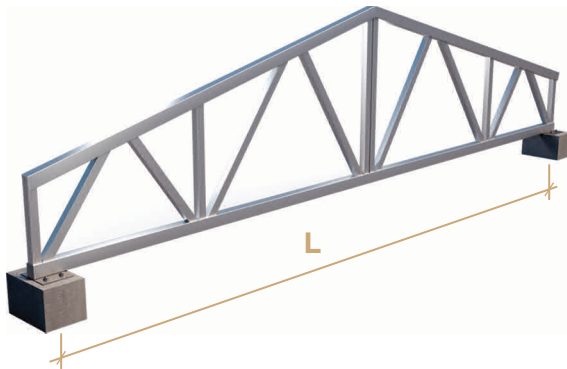


SINGLE-PITCH
with parallel chords

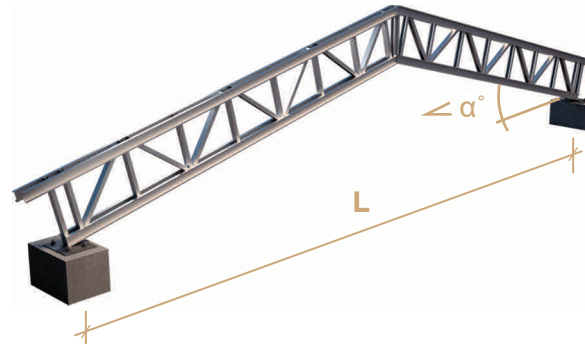


- Span (L, m) — 6-24m
- Roof slope $>8^\circ$
- Anti-corrosion treatment. Zinc coating or high-quality painting
- The calculated load is 200 (kg/m²)

DUO-PITCH
triangular



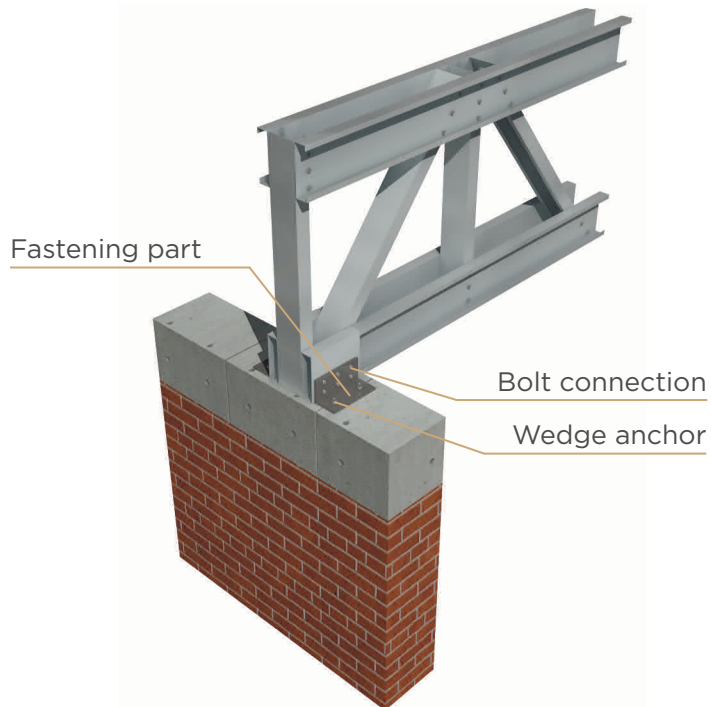
DUO-PITCH
with parallel chords



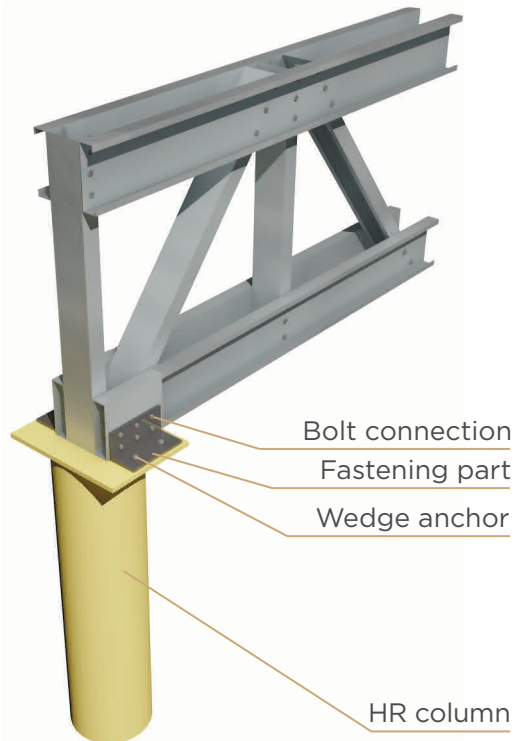
FIXING OPTIONS FOR READYCON TRUSSES

For existing structures

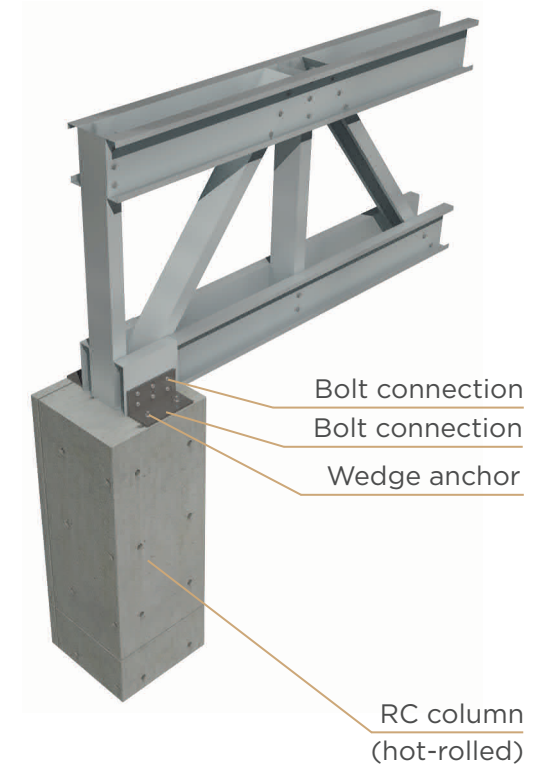
ARMoured BELT



METAL COLUMN

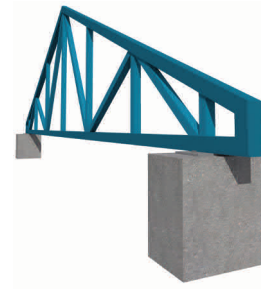


REINFORCED CONCRETE (RC) COLUMN



* There is an additional opportunity to adapt fastening of trusses for individual cases

TECHNICAL COMPARISON



	LGSF READYCON TRUSS	HR (HOT-ROLLED) READYCON TRUSS	TRADITIONAL TRUSS (OWN PRODUCTION)
● Anti-corrosion coating	≈ 275 g/m ² (20 μm)	High-quality anti-corrosion coating	Requires high-quality coating
● Steel grade	S 350GD or DX 51 D	Ст3пс (St3ps)	Ст3пс (St3ps)
● Vertical load	200 kg/m ²	200 kg/m ²	Requires strength calculation
● Service life	> 50 years	>10 years	В залежності від якості покриття
● Production time	≈ 10 working days	≈ 15 working days	≈ 20 working days
● Connection type	Bolted connection	Welded connection	Welded connection or other
● Project documentation	Metal structures and assembly drawings	Metal structures and assembly drawings	As a rule, absent

FINISHED PROJECTS



A cafe
in the City of Kamianske



An administration building
in the City of Kharkiv



A residential building
in the City of Dnipro



Office premises
in the City of Dnipro




A warehouse
in the City of Dnipro



A group that conducts design, production and construction specializing in the implementation of complete, quickly assembled steel buildings and structures




Let's communicate...

 +38 (067) 285-07-09
+38 (067) 785-10-57


 ReadyConEngineering

 ReadyCon@ukr.net

 Sicheslavska Naberezhna Str. 15-A,
the City of Dnipro

 ReadyCon

 ReadyCon.com.ua

 Mon-Fr 09:00 - 18:00
