



SUPERSTRUCTURE OF FLOORS

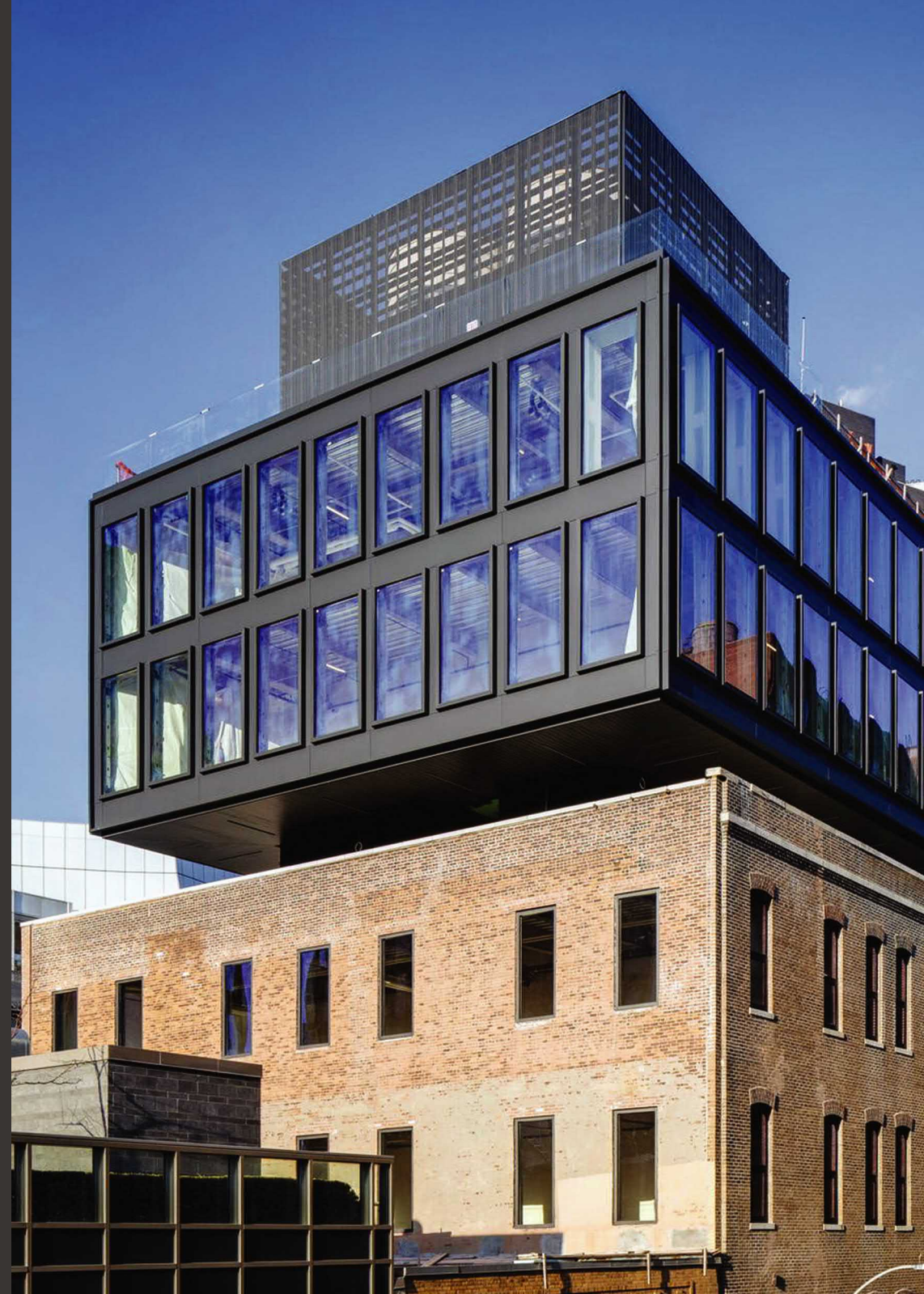
Now it's easy to increase
the area of the house!

IN MANY CASES WITHOUT REINFORCING THE FOUNDATION



+38 (067) 285-07-09

+38 (067) 785-10-57



DO YOU LACK INTERIOR SPACE OF PREMISES?

Do you want to increase the profit within the existing building?

Is the building located in a dense construction and there is no way for construction vehicles to drive up?

ADVANTAGES OF READYCON SUPERSTRUCTURES

- Low weight of the superstructure (uniform distribution of load on the existing building);
- Energy efficiency ($R > 3.5 \frac{\text{m}^2 \cdot \text{K}}{\text{W}}$);
- Additional area with the existing dimensions of the building (up to 10% of the total area);
- Installation of a superstructure without damage to the existing building in cramped conditions and without involvement of machinery;
- Strength and durability. Fire resistance (REI up to 120 min);
- Optimal value.



IT IS POSSIBLE WITH LGSF TECHNOLOGY

CONSTRUCTION SCHEME OF A SUPERSTRUCTURE USING LGSF TECHNOLOGY

Roofing A

- #1...Metal tile
- #2...Roofing lathing
- #3...Hydrobarrier
- #4...Ceiling Truss

Ceiling B

- #5...Truss
- #6...Superdiffusion (3-layer microporous) membrane
- #7...Ceiling subsystem (thermoprofile)
- #8...Insulator
- #9...Vapor barrier
- #10...Ceiling lathing
- #11...Gypsum plasterboard

Wall C

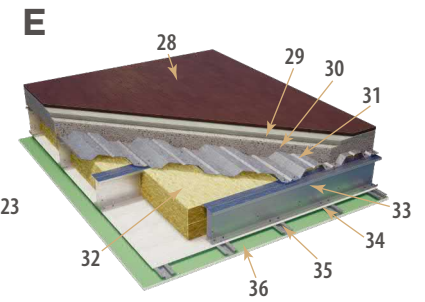
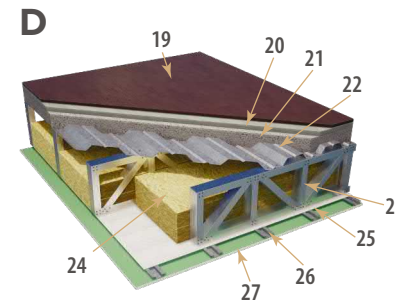
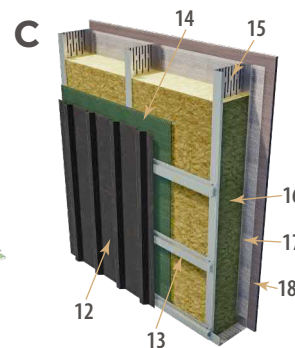
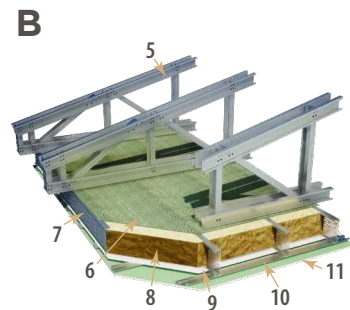
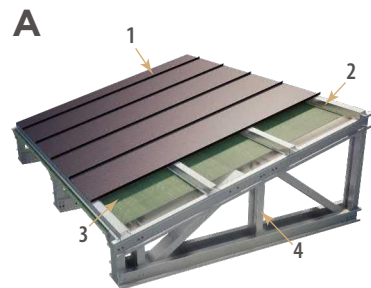
- #12...Folded panel
- #13...Lathing
- #14...Superdiffusion membrane
- #15...Thermoprofile
- #16...Insulator
- #17...Vapor barrier
- #18...Gypsum plasterboard

Floor structure D

- #19...Floor
- #20...Screed
- #21...Polystyrol concrete
- #22...Profiled sheet
- #23...Truss
- #24...Insulator
- #25...Vapor barrier
- #26...Ceiling lathing
- #27...Gypsum plasterboard

Floor structure E

- #28...Floor
- #29...Screed
- #30...Polystyrol concrete
- #31...Profiled sheet
- #32...Beam
- #33...Insulator
- #34...Vapor barrier
- #35...Ceiling lathing
- #36...Gypsum plasterboard

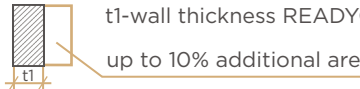
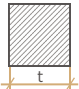


TECHNICAL COMPARISON



LIGHT LGSF FRAMEWORK

HEAVY STEEL FRAMEWORK

● Load from superstructure (κN/M ²)	290κN/M ²	1220κN/M ²
● Assembling speed	Fast	Slow
● Wall thickness	 <p>t1-wall thickness READYCON up to 10% additional area</p>	 <p>t-traditional wall</p>
● Energy efficiency, R	> 3.5	< 3.3
● Fire resistance	REI120 (at the expense of decoration materials)	REI120 (fire protection of structures is required)
● Durability	> 80 years (zinc coating)	It depends on the quality of anti-corrosion coating
● Sound insulation	> 61 dB	30-46 dB

FINISHED PROJECTS



A residential building
in the village Nikita



A clinic in the
City of Dnipro



A car showroom
in the City of Dnipro



A furniture exhibition hall
in the City of Pokrovsk




A superstructure of 3 floors
in the City of Kamianske



A group that conducts design, production and construction specializing in the implementation of complete, quickly assembled steel buildings and structures.



Let's communicate...

 +38 (067) 285-07-09
+38 (067) 785-10-57


 ReadyConEngineering

 ReadyCon@ukr.net

 Sicheslavska Naberezhna Str. 15-A,
the City of Dnipro

 ReadyCon

 ReadyCon.com.ua

 Mon-Fr 09:00 - 18:00
